



## C1812 - COLOUR DISPLAY LOGGER



The C1812 comes standard as a combined 12" full colour display, powerful control device and fully programmable data logger with 250 MB internal memory. Optional USB Logging provides additional data capacity and flexibility, and also upgrades the internal memory to 500 MB.

The anti-reflective, high contrast display is clear and vibrant in direct sunlight. Numerous supplied display layouts offer fixed graphics with a live video window streaming from any one of three cameras at a time, plus configurable channels and labels. The optional Display Creator software provides the tools for full screen customisation.

The C1812 acquires data from other devices, such as an ECU, displaying data channels, warning alarms, lap times, fuel calculations, maths functions and more.

### ► FEATURES

- High resolution 310 mm (12" approx) colour LCD display
- High brightness for sunlight readability
- Optional USB logging (includes 500 MB internal logging)
- Suited to larger vehicles, marine and industrial applications
- Can replace the display clusters in modern vehicles
- Supports Wideband Lambda from MoTeC PLMs or LTCs
- GPS Lap Timing
- Tell Tales and Diagnostic Logging
- Preserved Channels
- Running Min/Max, Timers, PID Control, Engine Log

- Supports T2 Telemetry (optional)
- Easily integrates with MoTeC CAN based devices such as ECUs and expanders. Full I/O expansion with E888, E816, VIM and SVIM expanders.
- Composite video inputs (3) allow for live video streaming, for example from rear and side cameras, one view at a time.

### ► ACCESSORIES

- 62206: C1812 LOOM
- 61279: CABLE - USB A PANEL TO MINI B  
(This cable is required for USB Logging)
- 61280: MOTEC 32 GB DATA PLUG
- 61292: 32 GB USB3 FLASH DRIVE

### ► OPTIONAL UPGRADES

- 29940: C1812 44 I/O (see Specifications and Pinout)
  - 10 extra analogue voltage inputs (AV11 to AV20)
  - 4 extra analogue temperature inputs (AT5 to AT8)
- 29958: C1812 USB LOGGING + 500 MB INTERNAL LOGGING
- 29956: C1812 DISPLAY CREATOR
- 29960: C1812 PRO ANALYSIS
- 29963: C1812 T2 TELEMETRY
- 29945: C1812 ADVANCED FUNCTIONS
  - Advanced Maths
  - Channel Maths
  - 16 x 2D Tables (instead of 4)
  - 16 x 3D Tables (instead of 4)
  - 50 User conditions (instead of 20)

## ► SPECIFICATIONS

### Display

- Type: Colour TFT LCD, anti-reflective
- Resolution: 1280 x 480, anti-aliased graphics
- Selectable fixed layouts include a dedicated live video window on the right side of the screen. **Note:** Video window is blank if no cameras are connected; this area cannot currently be used for other channels in a fixed layout.
- Create custom layouts via optional Display Creator software
- 48 user-defined, scrollable message lines with programmable overrides
- 3 programmable modes with customisable labels

### Logging

- 250 MB internal logging memory
- Optional USB logging to a removable storage device
  - Includes upgrade to 500 MB internal memory
- Logging rates up to 1000 samples per second
- i2 Standard data analysis software included (Pro Analysis upgrade available)

### Removable USB Storage Device Options

- 61280: MoTeC 32 GB USB3 Data Plug – mechanically latched, waterproof with anodised housing, ideal for exposure to the elements and vibration.
- 61292: 32 GB USB3 Flash Drive – fast, low weight and low cost, not mechanically latched or waterproof.

### Inputs (\* denotes number available with I/O upgrade)

- 10 (20\*) analogue voltage inputs:
  - 4 (8\*) x 0 to 5.46 V, 1.33 mV resolution
  - 6 (12\*) x 0 to 15.0 V, 3.66 mV resolution
- 4 (8 with I/O upgrade) analogue temperature inputs
  - 0 to 15 V, 3.66 mV resolution
- 4 x Digital inputs
- 2 x Switch inputs
- 4 x Speed inputs
- 3 x Composite video inputs

### Outputs

- 6 x low side outputs PWM or switched operation
- 1.0 Amp max, current limited, thermal overload protected

### Expanders

Fully compatible with E816, E888, VIM and SVIM Expanders.

### Internal Sensors

- 3-axis accelerometer, detection range: +/- 5G
- Dash temperature sensor
- Sensor supply voltage
- Battery voltage

### Communications

- 4 x configurable CAN buses, with individually programmable CAN bus speeds. One can be used as RS232 Receive. Two CAN buses support VIM/SVIM Expanders.
- 2 x Dedicated RS232 ports

### Power Supply

- Operating voltage: 6 to 32 V DC
- Operating current: 0.5 A typical at 14 V (excluding sensor and USB currents)
- Reverse battery protection
- Battery transient protection

### Sensor Supply Currents

- 5 V sensor supply: 0.25 A maximum
- 8 V sensor supply: 0.25 A maximum

### Operating Temperature

- Internal: - 20°C to 70°C (above 60°C maximum backlight brightness progressively reduced)
- Typical ambient temperature range (free air): - 20°C to 55°C

### Ingress Protection (IP) Rating

- IP68 dust tight, protected against water immersion (continuous submersion to depth of at least 1 m)

⇒ IP rating is dependent upon the user ensuring that the connector entries are waterproof, which, as a minimum, requires all unused wire cavities on the connector to be plugged.

### Physical

- Size: 340.8 x 144.1 x 34 mm excluding connectors
- Weight 1712 g
- 1 x 79 pin Autosport connector
- 1 x mini USB port (located on the back of the device)

## ► SCREEN CLEANING

Wipe using a clean water-dampened microfibre cloth, followed by a clean, dry microfibre cloth.

## ► COMPATIBILITY

- MoTeC ECUs: All (some earlier models may require an additional adaptor in conjunction with the RS232 adaptor)
- MoTeC Displays/Loggers: All
- MoTeC Accessories: VIM, SVIM, E816, E888, SLM, PLM, LTC, BR2, PDM, GPS, VCS etc.
- Many non-MoTeC devices

► SOFTWARE

Windows-based Dash Manager for setup and management of the display and data logging system, that provides:

- Configuration of the inputs, outputs, LEDs, display, data logging and calculations
- Offline generation of a configuration file that can then be sent to the device.
- Channel monitoring
- Firmware updating and extensive help screens

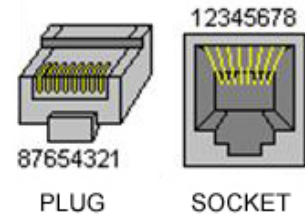
Optional Display Creator software allows for full customisation of the screen layout, including live video and i2 Data Analysis software (Standard or optional Pro) provides the tools for comprehensive data analysis.

► ETHERNET WIRING

Ethernet Connector		MoTeC Loom Colour	C1812	
Pin	Function		Pin	Function
1	Ethernet TX +	Orange/White	77	Ethernet RX +
2	Ethernet TX -	Orange	78	Ethernet RX -
3	Ethernet RX +	Green/White	67	Ethernet TX +
6	Ethernet RX -	Green	68	Ethernet TX -

⇒ The wiring specified is the preferred cross-over configuration. However, the wiring can also be configured as straight-through. Cat 5 Ethernet cable must be used.

Pin Numbering

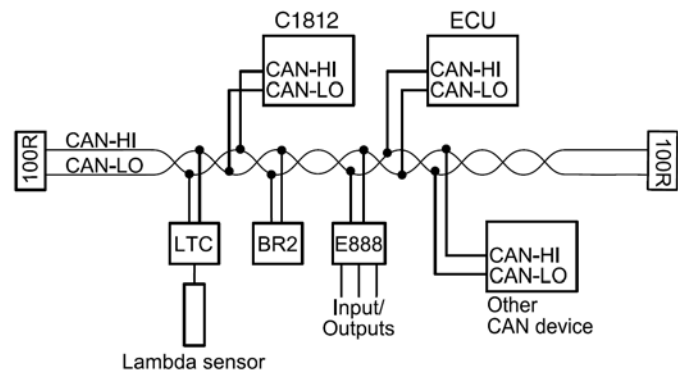


► ECU WIRING

When using an M4, M48 or M8 ECU, the C1812 should be connected via RS232. For some ECUs, a PCI cable may also be required.

The Display Logger should be connected via the CAN bus when using an M1 or 'Hundred Series' ECU (M400/M600/M800/M880) or M84, and any number of other CAN devices.

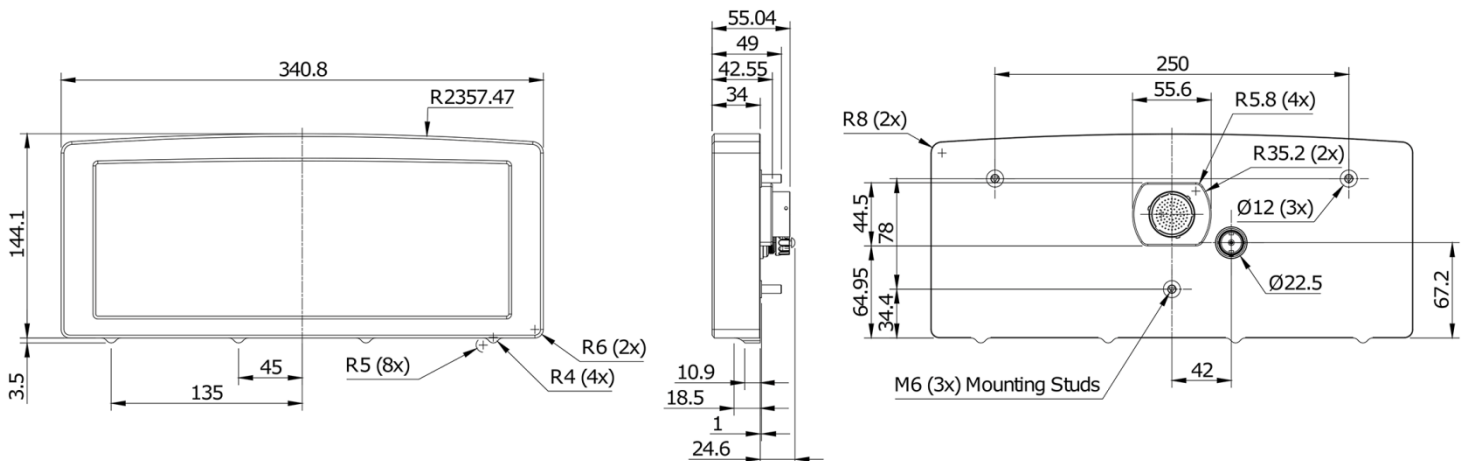
Example:



Detailed wiring information is available in the user manual at [www.motec.com/downloads](http://www.motec.com/downloads).

► DIMENSIONS AND MOUNTING

Measurements in mm.



⇒ **Note:** Do not remove any part of the casing. The case provides electromagnetic screening to avoid interference with other equipment, and is also essential for thermal management. Thermal management may be compromised if mounted in a confined space, refer to the operating specifications.

Ensure product is not stressed when mounted.

## ► PINOUT

Mating Connector: Part number 68086

Pin	Name	Standard Function
1	AV15	Analogue Voltage Input 15 (with 44 I/O upgrade)
2	AV16	Analogue Voltage Input 16 (with 44 I/O upgrade)
3	AV17	Analogue Voltage Input 17 (with 44 I/O upgrade)
4	AV18	Analogue Voltage Input 18 (with 44 I/O upgrade)
5	AV19	Analogue Voltage Input 19 (with 44 I/O upgrade)
6	0V	Sensor 0 V
7	BAT-	Battery Negative
8	BAT+	Battery Positive
9	AUX1	Auxiliary Output 1
10	AUX2	Auxiliary Output 2
11	AUX3	Auxiliary Output 3
12	AUX4	Auxiliary Output 4
13	AUX5	Auxiliary Output 5
14	AUX6/ LIN	Auxiliary Output 6/ LIN
15	RS232-2 TX	RS232-2 Transmit Output
16	RS232-2 RX	RS232-2 Receive Input
17	0V	Sensor 0 V
18	5V	Sensor 5 V
19	AV7	Analogue Voltage Input 7
20	AV8	Analogue Voltage Input 8
21	AV9	Analogue Voltage Input 9
22	AV10	Analogue Voltage Input 10
23	AV11	Analogue Voltage Input 11 (with 44 I/O upgrade)
24	AV12	Analogue Voltage Input 12 (with 44 I/O upgrade)
25	AV13	Analogue Voltage Input 13 (with 44 I/O upgrade)
26	AV14	Analogue Voltage Input 14 (with 44 I/O upgrade)
27	0V	Sensor 0 V
28	5V	Sensor 5 V
29	VID1	Video Input 1
30	VID0V	Video 0 V
31	VID2	Video Input 2
32	VID3	Video Input 3
33	0V	Sensor 0 V
34	AT1	Analogue Temp Input 1
35	AT2	Analogue Temp Input 2
36	AT3	Analogue Temp Input 3
37	AT4	Analogue Temp Input 4
38	AT5	Analogue Temp Input 5 (with 44 I/O upgrade)
39	AT6	Analogue Temp Input 6 (with 44 I/O upgrade)
40	0V	Sensor 0 V

Pin	Name	Standard Function
41	AT7	Analogue Temp Input 7 (with 44 I/O upgrade)
42	AT8	Analogue Temp Input 8 (with 44 I/O upgrade)
43	0V	Sensor 0 V
44	5V	Sensor 5 V
45	AV1	Analogue Voltage Input 1
46	AV2	Analogue Voltage Input 2
47	AV3	Analogue Voltage Input 3
48	AV4	Analogue Voltage Input 4
49	AV5	Analogue Voltage Input 5
50	AV6	Analogue Voltage Input 6
51	0V	Sensor 0 V
52	DIG1	Digital Input 1
53	DIG2	Digital Input 2
54	DIG3	Digital Input 3
55	DIG4	Digital Input 4
56	0V	Sensor 0 V
57	SW1	Switch Input 1
58	SW2	Switch Input 2
59	CAN4L	CAN 4 Low
60	CAN4H	CAN 4 High
61	0V	Sensor 0 V
62	8V	Sensor 8 V
63	SPD1	Speed Input 1
64	SPD2	Speed Input 2
65	SPD3	Speed Input 3
66	SPD4	Speed Input 4
67	E-TX+	Ethernet Transmit +
68	E-TX-	Ethernet Transmit -
69	AV20	Analogue Voltage Input 20 (with I/O upgrade)
70	RS232-1 TX	RS232 Transmit Output
71	CAN3L	CAN 3 Low
72	CAN3H	CAN 3 High
73	CAN1L	CAN 1 Low
74	CAN1H	CAN 1 High
75	CAN2L	CAN 2 Low/ RS232 Ground Input
76	CAN2H	CAN2 High/ RS232 Receive Input
77	E-RX+	Ethernet Receive +
78	E-RX-	Ethernet Receive -
79	RS232-1 RX	RS232 Receive Input