



## C1212 - COLOUR DISPLAY LOGGER



The C1212 comes standard as a combined 12" full colour display and powerful control device with outstanding readability in direct sunlight.

With the Data Logging upgrade enabled it becomes a fully programmable data logger with 120 MB memory. Optional USB Logging provides additional data capacity and flexibility.

Numerous supplied display layouts offer fixed graphics with a live video window and configurable channels and labels, while the optional Display Creator software provides the tools for full screen customisation.

The C1212 acquires data from other devices, such as an ECU, and can display data channels, warning alarms, lap times, fuel calculations, minimum corner speeds, maximum straight speeds and more.

### ► FEATURES

- High resolution 310 mm (12" approx) colour LCD display
- High brightness for sunlight readability
- Optional internal logging and USB logging
- Suited to larger vehicles, marine and industrial applications
- Can replace the display clusters in modern vehicles
- Supports Wideband Lambda from MoTeC PLMs or LTCs
- Easily integrates with MoTeC CAN based devices such as ECUs and expanders. Full I/O expansion with E888 and E816.
- GPS Lap Timing
- Supports T2 Telemetry (optional)

- A composite video input allows for live video streaming, for example from a rear view camera.

### ► ACCESSORIES

- 62204: C1212 LOOM
- 61279: CABLE - USB A PANEL TO MINI B (This cable is required for USB Logging)
- 61280: MOTEC 32 GB DATA PLUG
- 61292: 32 GB USB3 FLASH DRIVE

### ► OPTIONAL UPGRADES

- 29840: C1212 I/O
- 29858: C1212 120 MB LOGGING
- 29813: C1212 USB LOGGING
- 29856: C1212 DISPLAY CREATOR
- 29860: C1212 PRO ANALYSIS
- 29863: C1212 T2 TELEMETRY

### ► SPECIFICATIONS

#### Display

- Type: Colour TFT LCD, anti-reflective
- Resolution: 1280 x 480, anti-aliased graphics
- Selectable fixed layouts include a dedicated live video window on the right side of the screen. **Note:** Video window is blank if no camera is connected; this area cannot currently be used for other channels in a fixed layout.
- Create custom layouts via optional Display Creator software
- 48 user-defined, scrollable message lines with programmable overrides
- 3 programmable modes with customisable labels

## Logging Options (upgrades required)

- 120 MB internal logging memory, fast Ethernet download
- Optional USB logging to a removable storage device (internal logging required as a prerequisite)
- Logging rates up to 500 samples per second
- i2 Standard data analysis software included (Pro Analysis upgrade available)

## Removable USB Storage Device Options

- 61280: MoTeC 32 GB USB3 Data Plug – mechanically latched, waterproof with anodised housing, ideal for exposure to the elements and vibration.
- 61292: 32 GB USB3 Flash Drive – fast, low weight and low cost, not mechanically latched or waterproof.

## Inputs

- 2 x Digital inputs
- 3 x Speed inputs
- 1 x Composite video input

## Inputs - optional (requires I/O upgrade)

- 6 x Analogue voltage inputs
  - 4 x 0 to 5.46 V, 1.33 mV resolution
  - 2 x 0 to 15.0 V, 3.66 mV resolution
- 2 x Analogue temperature inputs
  - 0 to 15 V, 3.66 mV resolution

## Outputs - optional (requires I/O upgrade)

- 4 x low side outputs PWM or switched operation
- 0.5 Amp max, current limited, thermal overload protected

## Expanders

The C127 is fully compatible with E816 and E888 expanders.

## Internal Sensors

- 3-axis accelerometer, detection range: +/- 5G
- Dash temperature sensor
- Sensor supply voltage
- Battery voltage

## Communications

- 2 x configurable CAN buses, with individually programmable CAN bus speeds. One can be used as RS232 Receive.
- 2 x RS232 ports, one with transmit and receive, one with receive only.

## Power Supply

- Operating voltage: 6 to 32 V DC

- Operating current: 1.0 A typical at 14 V (excluding sensor and USB currents)
- Reverse battery protection
- Battery transient protection

## Sensor Supply Currents

- 5 V sensor supply: 0.25 A maximum
- 8 V sensor supply: 0.25 A maximum

## Operating Temperature

- Internal: - 20°C to 80°C (above 60°C maximum backlight brightness progressively reduced)
- Typical ambient temperature range in free air: - 20 °C to 60 °C

## Physical

- Size: 340.8 x 144.1 x 34 mm excluding connectors
- Weight 1690 g
- 1 x 34 pin waterproof connector
- 1 x mini USB port (located on the back of the device)

## ▶ SCREEN CLEANING

Wipe using a clean water-dampened microfibre cloth, followed by a clean, dry microfibre cloth.

## ▶ COMPATIBILITY

- MoTeC ECUs: All (some earlier models may require an additional adaptor in conjunction with the RS232 adaptor)
- MoTeC Displays/Loggers: All
- MoTeC Accessories: E816, E888, SLM, PLM, LTC, BR2, PDM, GPS, VCS etc.
- Many non-MoTeC devices

## ▶ SOFTWARE

Windows-based Dash Manager for setup and management of the display and data logging system, that provides:

- Configuration of the inputs, outputs, LEDs, display, data logging and calculations
- Offline generation of a configuration file that can then be sent to the device.
- Channel monitoring
- Firmware updating and extensive help screens

Optional Display Creator software allows for full customisation of the screen layout, including live video.

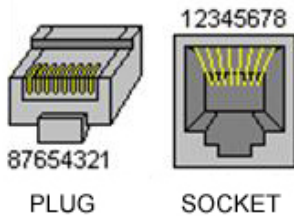
i2 Data Analysis software (Standard or optional Pro) provides the tools for comprehensive data analysis.

► **ETHERNET WIRING**

Ethernet Connector		MoTeC Loom Colour	C1212	
Pin	Function		Pin	Function
1	Ethernet TX +	Orange/White	11	Ethernet RX +
2	Ethernet TX -	Orange	10	Ethernet RX -
3	Ethernet RX +	Green/White	2	Ethernet TX +
6	Ethernet RX -	Green	1	Ethernet TX -

⇒ The wiring specified is the preferred cross-over configuration. However, the wiring can also be configured as straight-through. Cat 5 Ethernet cable must be used.

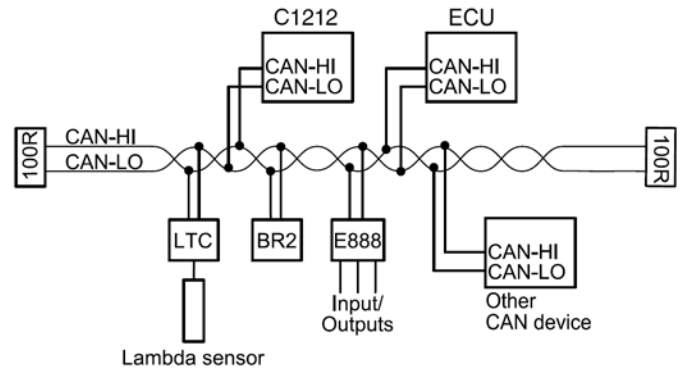
**Pin Numbering**



► **ECU WIRING**

When using an M4, M48 or M8 ECU, the C1212 should be connected via RS232. For some ECUs, a PCI cable may also be required.

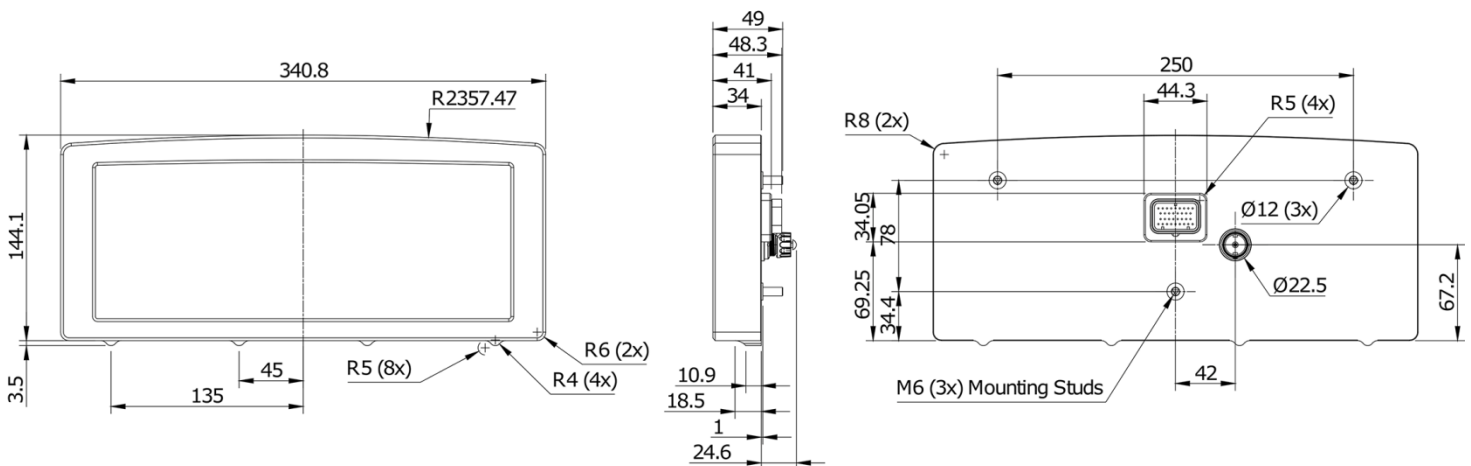
The Display Logger should be connected via the CAN bus when using an M1 or 'Hundred Series' ECU (M400/M600/M800/M880) or M84, and any number of other CAN devices. Example:



Detailed wiring information is available in the user manual at [www.motec.com/downloads](http://www.motec.com/downloads).

► **DIMENSIONS AND MOUNTING**

Measurements in mm.



⇒ **Note:** Do not remove any part of the casing. The case provides electromagnetic screening to avoid interference with other equipment, and is also essential for thermal management. Thermal management may be compromised if mounted in a confined space, refer to the operating specifications. Ensure product is not stressed when mounted.

## ▶ PINOUT

Mating Connector: Part number 65044

Pin	Name	Standard Function	Optional Function (12 I/O upgrade #29840)
1	E-TX-	Ethernet Transmit -	
2	E-TX+	Ethernet Transmit +	
3	AV1		Analogue Voltage Input 1
4	AV2		Analogue Voltage Input 2
5	AV3		Analogue Voltage Input 3
6	AV4		Analogue Voltage Input 4
7	8 V	Sensor 8 V	
8	5 V	Sensor 5 V	
9	0 V	Sensor 0 V	
10	E-RX-	Ethernet Receive -	
11	E-RX+	Ethernet Receive +	
12	AV5		Analogue Voltage Input 5
13	AV6		Analogue Voltage Input 6
14	DIG1	Digital Input 1	
15	DIG2	Digital Input 2	
16	AT1		Analogue Temp Input 1
17	AT2		Analogue Temp Input 2
18	CAN1L	CAN1 Low	
19	CAN1H	CAN1 High	
20	RS232-1 TX	RS232-1 Transmit Output	
21	SPD1	Speed Input 1	
22	SPD2	Speed Input 2	
23	SPD3	Speed Input 3	
24	VID1	Video Input 1	
25	RS232-2 RX	RS232-2 Receive Input	
26	CAN2L	CAN2 Low/RS232 Ground Input	
27	CAN2H	CAN2 High/RS232 Receive Input	
28	RS232-1 RX	RS232-1 Receive Input	
29	AUX1		Auxiliary Output 1
30	AUX2		Auxiliary Output 2
31	AUX3		Auxiliary Output 3
32	AUX4		Auxiliary Output 4
33	BAT+	Battery Positive	
34	BAT-	Battery Negative	