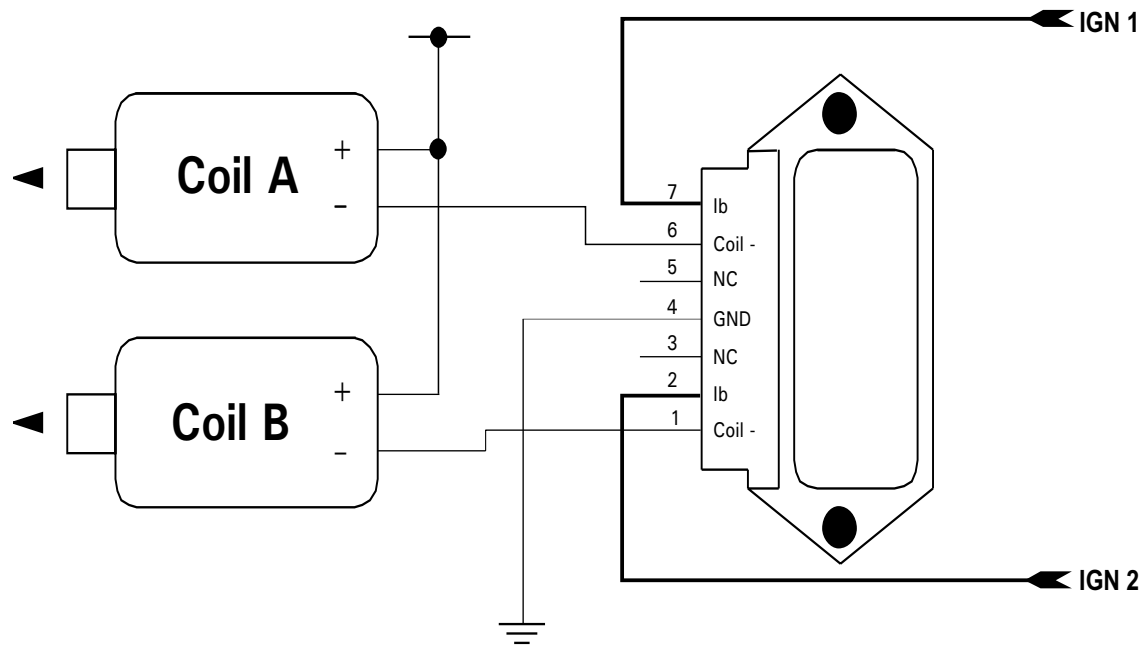
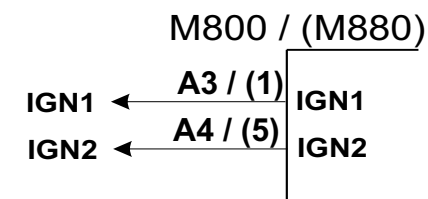
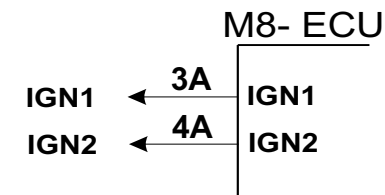
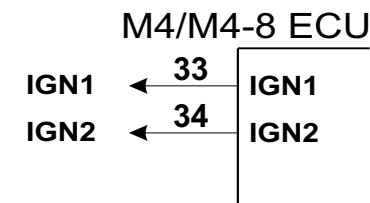


## Ignition System Power

**Suitable Coils:**  
Bosch MEC 717  
or MEC 718



**Ground at the Engine Block**



**Note:**

For Multi coil use refer to drawing numbers: M02, M03 and M04.

**Note 1:**

The Setup Parameter dELL is dependant on the coil. Refer to the information for the particular coil

Typically a value of 3.0ms is suitable for most coils. For small coil on plug coils a value of 1.8ms is typical

**IMPORTANT** Using an incorrect value may cause overheating of the module and coil and generate a weak spark

	<b>ign</b>	1
<b>Setup</b>	<b>COIL</b>	2
	<b>dELL</b>	Note 1

**MoTeC**

Title **Dual Bosch Module 0227 100 200**

Date 01/02/2003 Drawn ST App AD Products ECU

Sheet No Drawing No

1 of 1

**M29**